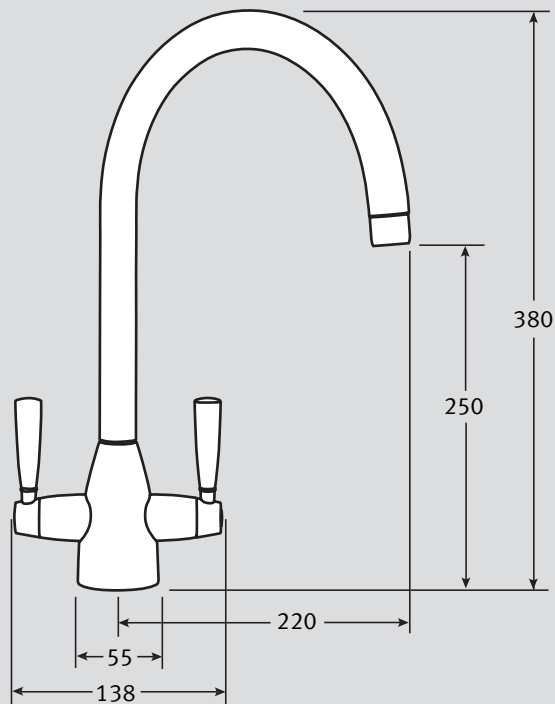


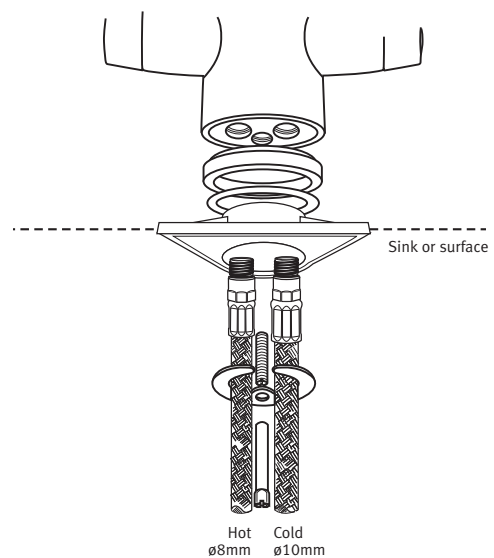
Eiger Tap Specifications

- Attractive neat design
- Lever operation
- Quarter turn ceramic discs
- Optional white handles to match ceramic sinks

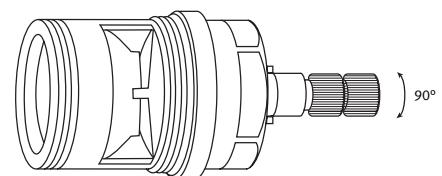


| | |
|---|---|
| Material: | Plated Brass |
| Type: | Quarter turn ceramic discs |
| Spout: | Tubular biflow spout |
| Tails: | Rigid Tails |
| Tap Height: | 250 (overall tap height 380) |
| Spout Reach: | 220 |
| Handle Width: | 138 |
| Colours: | Chrome or SilkSteel |
| Maximum Water Pressure: | 75 PSI (5 bar) |
| Maximum hot-water Temperature: | 65°C |
| Recommended hot water Temperature: | 60°C |
| Guarantee:- | Valve: 5 year Surfaces: 1 year |
| Joints: | It is recommended that compression fittings are used to link the tap to the supply. |

Tails:



Valve Mechanism:



* Central Services: 01782 599258 All Franke taps are designed to conform with Water Research Council Requirements.

NB. Ceramic disc taps in certain installations or where there is a low head of water (below 4 metres) may not provide adequate flow rates. You are advised to check with your supplier.