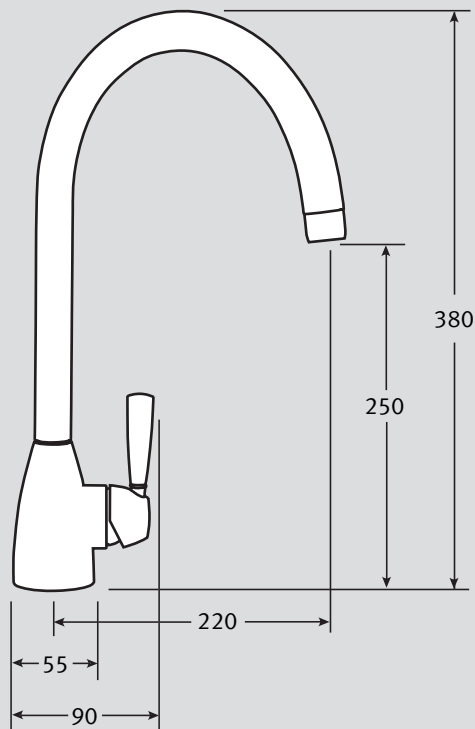


Gotthard Tap Specifications

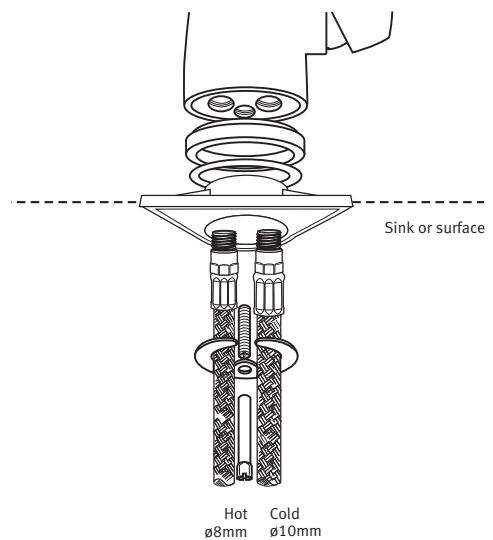
- Elegant design
- Side lever mechanism
- Optional white handle to match ceramic sinks



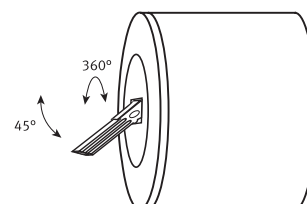
Optional white handle

Material:	Plated Brass
Type:	Side lever mechanism
Spout:	Tubular single flow spout
Tails:	Flexi Tails
Tap Height:	250 (overall tap height 380)
Spout Reach:	220
Handle Width:	90
Colours:	Chrome or SilkSteel
Maximum Water Pressure:	75 PSI (5 bar)
Maximum hot-water Temperature:	65°C
Recommended hot water Temperature:	60°C
Guarantee:-	Valve: 5 year Surfaces: 1 year
Joints:	It is recommended that compression fittings are used to link the tap to the supply.

Tails:



Valve Mechanism:



* Central Services: 01782 599258 All Franke taps are designed to conform with Water Research Council Requirements.

NB. Ceramic disc taps in certain installations or where there is a low head of water (below 4 metres) may not provide adequate flow rates. You are advised to check with your supplier.