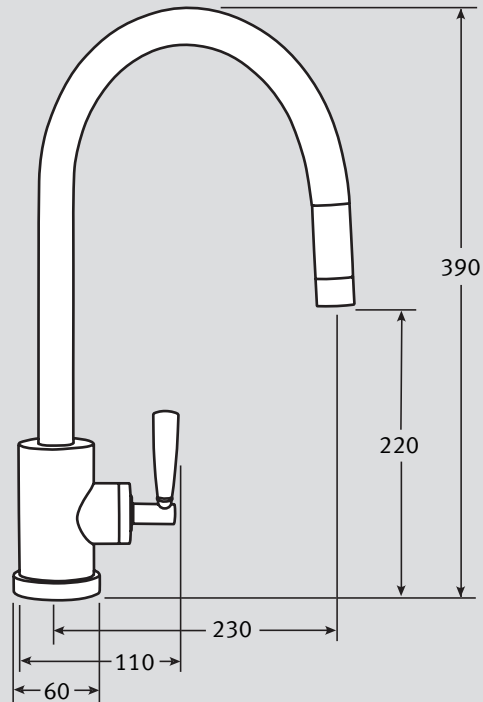


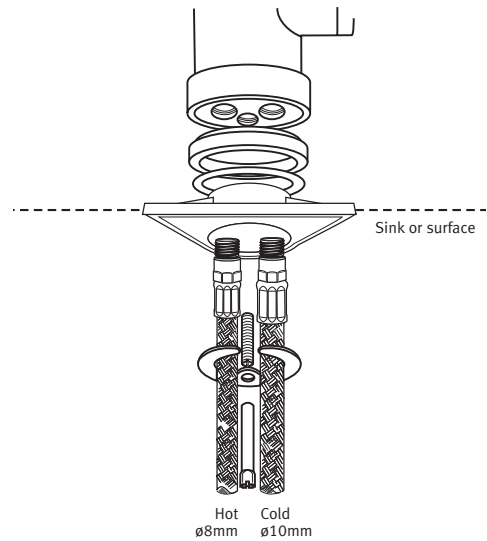
Fuji Pull-out Nozzle Tap Specifications

- Pull-out nozzle variation of flow
- Fuji design
- Side lever ceramic mechanism action
- Ideally suited to Active Kitchen

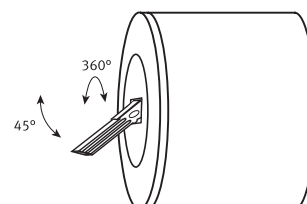


Material:	Plated Brass
Type:	Ceramic mechanism
Spout:	Pull-out hose nozzle
Tails:	Flexi Tails
Tap Height:	220 (overall tap height 390)
Spout Reach:	230
Handle Width:	110
Colours:	Chrome or SilkSteel
Maximum Water Pressure:	75 PSI (5 bar)
Maximum hot-water Temperature:	65°C
Recommended hot water Temperature:	60°C
Guarantee:-	Valve: 5 year Surfaces: 1 year
Joints:	It is recommended that compression fittings are used to link the tap to the supply.

Tails:



Valve Mechanism:



* Central Services: 01782 599258 All Franke taps are designed to conform with Water Research Council Requirements.

NB. Ceramic disc taps in certain installations or where there is a low head of water (below 4 metres) may not provide adequate flow rates. You are advised to check with your supplier.